

EN 1D47A

Photoelectric smoke detector with Wi-Fi connection



Thank you for purchasing our 1D47A Wi-Fi connected home photoelectric smoke detector.

Before installing, using or repairing the equipment, read this manual carefully and pay attention to the safety warnings and instructions. This will ensure not only the protection of persons, but also the long life of the equipment.

The 1D47A home photoelectric smoke detector with Wi-Fi connection detects the presence of fire by smoke. When smoke reaches a certain concentration in the room, the detector triggers an acoustic and light warning signal.

This equipment is designed for residential buildings and meets the requirements of EN 14604:2005/AC:2008.

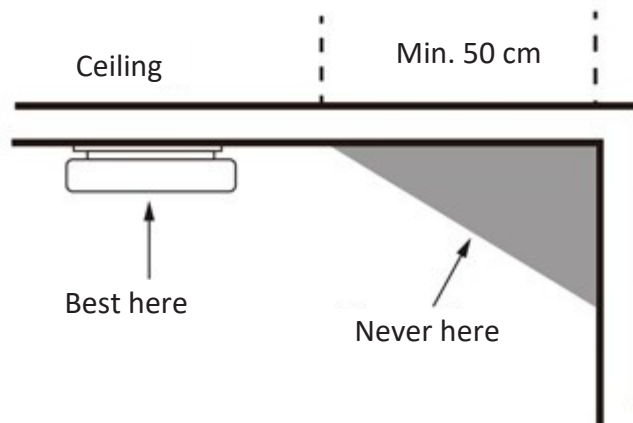
TECHNICAL PARAMETERS

Model	1D47A
Operating voltage	DC 3 V (CR 123A)
Battery capacity	1 400 mAh
Wireless protocol	Wi-Fi + Bluetooth
Frequency range	2 412 - 2 472 GHz
Version	802.11 b/g/n
RF conductive power	11b:17 dBm; 11g:15 dBm; 11n:13 dBm
Standby current	< 9 uA
Signal	Acoustic + light + in-app notifications
Acoustic signal strength	≥ 85 dB (at a distance of 3 m)
Operating humidity	≤ 95% RH (non-condensing)
Battery lifetime	2 years (average time)
Operating temperature	-10 °C - 55 °C
Installation	On the ceiling (using screws or adhesive tape)
Dimensions (L × W × H)	76 × 76 × 28.5 mm
Guidelines	EN 14604:2005 + AC:2008
Detector lifetime	10 years

SITE SELECTION

The smoke detector should be mounted on the ceiling in the centre of the room at a distance of 150 cm from lights, exhaust fan, air conditioning outlet/inlet. We recommend installing a smoke detector in every room.

Do not install a smoke detector in the bathroom or other rooms where water condensation occurs.



INSTALLATION

Using screws

- Attach the mounting plate to the location where the smoke detector will be placed. Mark where the holes are to be drilled.
- Drill two 4 mm diameter holes at a distance of 42 mm.
- Insert plastic dowels into the holes.
- Push the screws through the holes in the mounting plate and then into the dowels. Tighten them securely.
- Place the detector on the mounting plate and turn it clockwise to secure it.
- Dowels: M4 x 20
- Screws: M2.6 x 16

Using double-sided adhesive tape



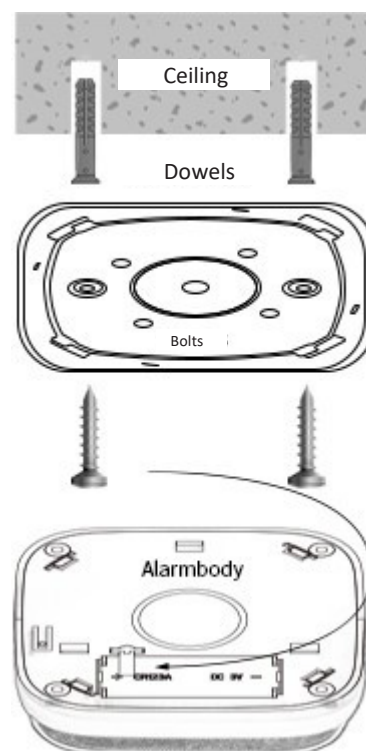
Stick the double-sided adhesive tape to the place where the smoke detector will be placed and remove the protective film.



Place the mounting plate on the adhesive tape and press firmly.



Place the detector on the mounting plate and turn it clockwise to secure it.



TEST EXECUTION

Press the test button to check that the smoke detector is working normally. Do not use the smoke detector if it is not working properly or if the audible signal does not sound.

USE WITH THE TUYA APPLICATION

1. Download the TUYA Smart or Smart Life app to your phone. The app is available for free in the Play Store (for Android) or the App Store (for iOS).
2. Install the app, register by creating a user account. Follow the instructions on your phone screen.
3. In the app, click "+" or "Add device". Select "Smoke detector" (WiFi) from the list of devices.
4. Switch on the smoke detector (an audible signal sounds). Press and hold the test button for about 5 seconds. The LED indicator will flash rapidly (EZ pairing mode). This indicates that the detector is in Wi-Fi wireless mode. To select AP mode, press and hold the test button and the LED indicator will flash slowly.
5. Enter the Wi-Fi name and password, select "EZ Mode" if the LED indicator flashes fast or "AP Mode" if the LED indicator flashes slow. Then click "Next".
6. Once the connection is complete, the LED indicator stops flashing and the smoke detector appears in the list of connected devices.

Among other things, the alarm can be connected to your phone via Bluetooth, just open the Bluetooth connection on your phone and connect the device.

**Note**

The maximum time for connecting the detector to the application is 1 minute. During this time the LED indicator will flash (fast or slow). If the connection fails, you need to re-enter the connection mode and repeat the steps above. After successful power-up, the network will be available for 2 hours. If this time is longer than this, power will need to be re-established.

LED INDICATOR

Normal operating mode	The LED indicator flashes once every 40 seconds.
Smoke detection	If the smoke concentration exceeds the set value, the LED indicator will flash continuously and an acoustic signal will sound.
Testing	Press the test button briefly, the indicator LED will flash continuously, an acoustic signal will sound three times and then the detector will switch off.
Low battery	The LED indicator will flash once every 40 seconds and a short acoustic signal will sound simultaneously.
Device error	The LED indicator will flash twice every 40 seconds and the acoustic signal will sound twice every 40 seconds.
Wi-Fi network status	The LED indicator flashes red slowly if the detector is switched on and the test button is pressed long for more than 5 seconds.
No Wi-Fi network	The LED indicator flashes red quickly if the detector is switched on and the test button is pressed for more than 5 seconds.
Wi-Fi network error	Three audible warnings will sound and at the same time the LED indicator will flash red every 40 seconds.
Switching off the acoustic signalling	While the acoustic signal is sounding, press the test button for a long time to switch acoustic signaling. If, 9 minutes later, the smoke concentration is still high (above the set point), the acoustic signal sounds again and the LED lights up.

**Note**

Switching off the acoustic alarm does not mean that the fire is extinguished or that the risk of fire is extinguished. If the detector goes off at any time, check the rooms in the house to see if there is a risk of fire anywhere.

SOLVING THE PROBLEMS

Trouble	Possible cause	Solution
The acoustic alarm is triggered immediately after switching on.	There's a lot of smoke in the room.	Turn on the detector after you've removed of smoke.
	The inner perimeter is damaged.	Contact an authorised service centre.
After switching on, one short beep sounds every 40 seconds.	The battery is almost dead.	Replace the battery.
Two short beeps sound after switching on every 40 seconds.	The inner perimeter is damaged.	Contact an authorised service centre.
There is no acoustic signal during testing.	The battery is not inserted correctly.	Check and insert the battery correctly. Make sure the polarity is correct.
	The battery is almost dead.	Replace the battery.
	The inner perimeter is damaged.	Contact an authorised service centre.
No acoustic signal or only a faint one.	The battery is almost dead.	Replace the battery.
	The detector is damaged.	Contact an authorised service centre.

CLEANING AND MAINTENANCE

After installation and commissioning, test the acoustic signal every week.

Keep the smoke detector clean. Clean it at least once a year to remove accumulated dust.



Warning

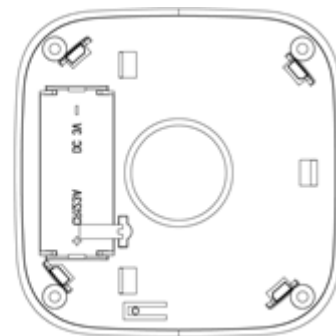
Do not coat the smoke detector with paint, coating, etc., as this could prevent smoke from entering and affect its operation.

Do not use solvents or cleaning agents to clean the detector. These substances could penetrate the detector and could lead to sensor or circuit failures. Clean the detector only with a cotton cloth or sponge.

BATTERY REPLACEMENT

Once the battery is dead, replace it with the same type. After replacing the battery, press the test button, an audible alarm sounds and the indicator flashes to confirm successful battery replacement. Follow the following steps when replacing:

1. Turn the detector counterclockwise and remove it from the mounting plate.
 2. Remove the dead battery and insert a new one. When inserting the new battery, make sure the polarity is correct.
 3. Press the test button to check that the detector is functional. Place the detector on the mounting plate and turn it clockwise to secure it.
- If you will not be using the smoke detector for a long time, remove the battery.



Warning

Do not short-circuit or otherwise damage the battery. Never throw the battery into a fire. Take the discharged battery for ecological disposal. Do not dispose of batteries in mixed waste.

The product complies with the requirements for placing on the EU market, conforming to EN 14604:2005+AC:2008. The product has been issued with a Declaration of Performance in accordance with Regulation (EU) No 305/2011 of the European Parliament and of the Council.

Recommended date of detector replacement: within 10 years from the date of manufacture. The date of manufacture is printed on the product label.

Name and number of the notified body providing certification for the EU: TÜV Rheinland InterCert Kft. - Product Certification Body - H-1143 Budapest, Gizella. Certified body number 1008.

Certificate number: 1008-CPR-MC 69265752 0001

Importer: Solight holding s.r.o, Hradec Králové, Na Brně 1972.

Manufacturer: Chongqing Zorro Alert Technology Co., Ltd.

Level4, Building5, No.16, Shigui Road, Jieshi Town, Ba'nán District, 401346, Chongqing, P.R. China.

Made in China.

The product has been issued with a CE Declaration of Conformity and a Declaration of Performance in accordance with the applicable regulations. On request from the manufacturer: info@solight.cz or download www.solight.cz/en



SOLIGHT

Solight Holding, s.r.o., Na Brně 1972, Hradec Králové 500 06, Czech Republic.